



FlowPod

The FlowPod is Litre Meter’s latest flow indication display unit. Utilising state-of-the-art technology, the FlowPod comes in a compact and light weight flame proof Stainless Steel enclosure that is only 85mm in diameter and weighs in at only 1.6kg. The FlowPod is one of the smallest flow displays for the Chemical Injection industry on the market today.

The back-lit display with high contrast, large flow rate indication and totalizer digits, enables the display to be easily read at distance in poorly lit conditions. The FlowPod comes equipped with Litre Meter – Memory Card facility.

LM-MC has been developed by Litre Meter for 2-wire low powered systems. The LM-MC enables calibration data to be easily swapped without having to remove the FlowPod from the installation or having to perform difficult calibration curve changes on site. The LM-MC has data logging capabilities to enable recalibration to be tailored to flow rate of the meter as specified by the client.

The FlowPod can be controlled without having to power down, by using HART commands or by the integrated magnetic switches that allows for simple programming and menu selection.

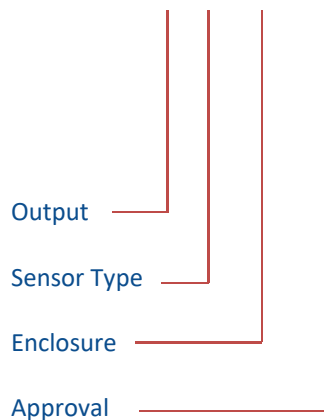
The display can either be direct mounted or remote mounted using suitable armoured signal cable or conduit. The standard specification includes HART 7 protocol output on a two or four wire 24 Vdc powered system.



Key Features

- Compact
- 2 or 4 wire
- Multiple sensing options
- Tool-less assembly
- Rotatable through 360° display
- Low Maintenance
- Highly Durable
- LM memory card (LM-MC)
- Reduced size and weight
- Easy wiring
- Full programmable HART
- Stainless steel enclosure
- Exia
- Exd Class 1 Div 1
- IP66/IP68

FlowPod-H-RS-E1-2Exd



Output options:
H – 4-20mA HART 7 output of flowrate.

Sensor options:
RS – Standard VFF Sensor.
MAG - Magnetic coil/inductive sensor with sine-wave output.
RF - Carrier frequency signal
Other options: NPN, PNP, Namur – consult factory

Enclosure options:
E1 -Bottom entry 3/4" NPT. Side entries 3/4"NPT with 316SS Exd blanking plug.
E2 -Bottom entry 3/4" NPT. Side entries M20x1.5 with 316SS Exd blanking plug.
E3 -Bottom entry M20x1.5. Side entries M20x1.5 with 316SS Exd blanking plug.

Approval options:
2Exi – 2-Wire loop powered HART Exia. ATEX & IECEX
2Exd – 2-Wire loop powered HART Exd. ATEX, IECEX & CSA-US
4Exd – 4-Wire HART Exd. ATEX, IECEX & CSA-US



TEESING

WWW.TEESING.COM



LITRE METER

Specialist flow measurement engineering

Technical Data



Key Features:

Exia- ATEX, IECEX
Exd- CSA(US): Class1 Div1 (B,C,D)
CSA(CAN): Class1 Div1 (B,C,D)
ATEX: Ex db IIC
IECEX: Ex db IIC
IP 66/IP68 dual certified

Ambient temperature: -20 to +75°C

2 or 4 wire 4-20mA HART 7 programming and monitoring

Compact lightweight 316 stainless steel housing

Rotatable through 360° for optimised viewing angle

2 VFF sensing options - standard and hi-res - both with bidirectional sensing

Removable LM-MC storage card for data logging & offsite programming

Local programming

Resettable and non-resettable Totaliser

Batch control

Power: 12 – 30 Vdc

Display Features:

Flow range usage: Analogue display of flow rate in 20 steps - programmable.

Pulsing Input Indicator: Symbol pulses at low flow, as another visual check of flow rate.

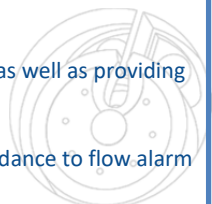
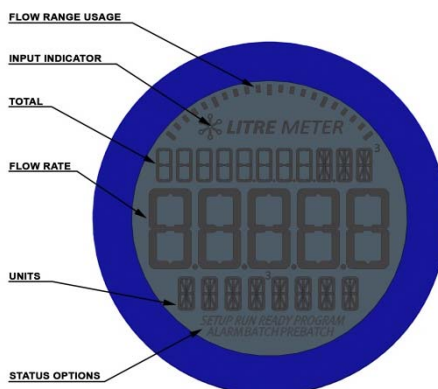
Total Digits: A total of 8 digits with the option to display: non-resettable total, a resettable total and the resettable reverse flow total.

Flow Rate Digits: The large 5 digits display the real time flowrate, the large digits and high contrast allows this to be easily read from a distance in poor light conditions.

Units: The option to display the flowrate and total in many different units, depending on your requirements.

Status options: Identifies which mode is active as well as providing status messages.

LED Colour Back light: Change in colour in accordance to flow alarm conditions, available on the 4 wire.



Litre Meter Ltd
Hart Hill Barn,
Granborough Road,
North Marston,
Buckinghamshire,
MK18 3RZ,
UK

Tel: +44 1296 670 200

Fax: +44 1296 670 999

Email: sales@litremeter.com

www.litremeter.com

TEESING

WWW.TEESING.COM

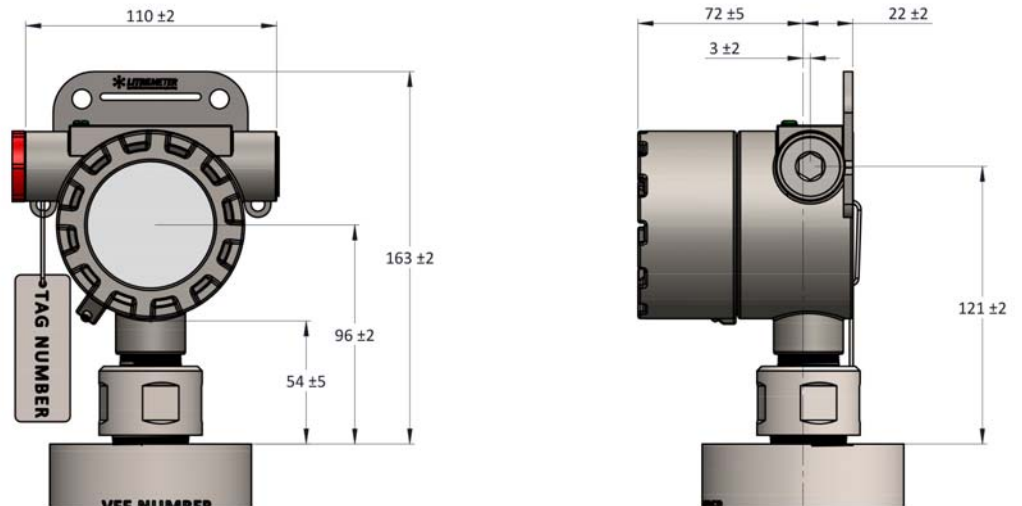


LITRE METER

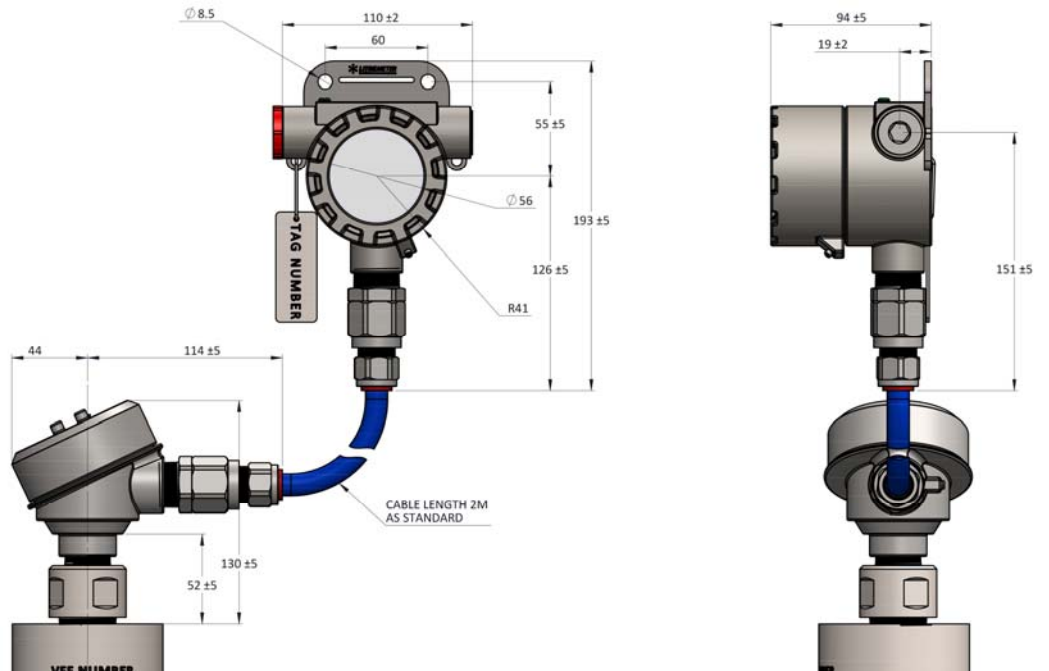
Specialist flow measurement engineering

FlowPod Dimensions

Direct Mount:



Remote Mount:

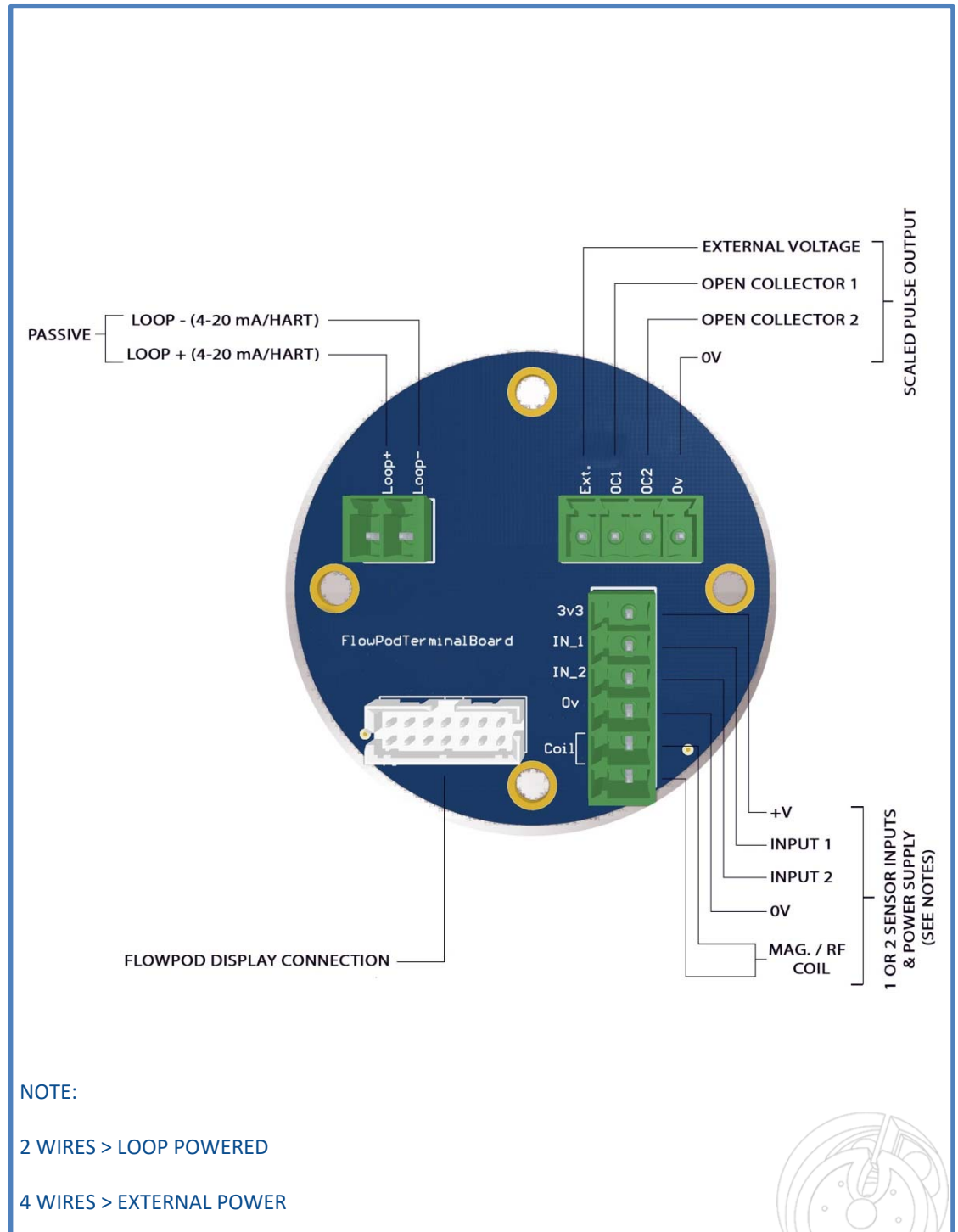


Dimensions: mm

Litre Meter Ltd
Hart Hill Barn,
Granborough Road,
North Marston,
Buckinghamshire,
MK18 3RZ,
UK

Tel: +44 1296 670 200
Fax: +44 1296 670 999
Email: sales@litremeter.com
www.litremeter.com

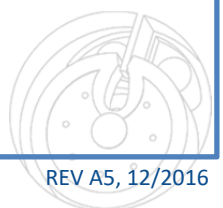
FlowPod Terminals



NOTE:

2 WIRES > LOOP POWERED

4 WIRES > EXTERNAL POWER



REV A5, 12/2016

Litre Meter Ltd
Hart Hill Barn,
Granborough Road,
North Marston,
Buckinghamshire,
MK18 3RZ,
UK

Tel: +44 1296 670 200

Fax: +44 1296 670 999

Email: sales@litremeter.com

www.litremeter.com