

# Type **TK4 NZ / TK4 GOST**

## Adaptor Nozzle

for CNG filling of cars (NGV1) at car fuelling stations (NZ/GOST standard)



**General**

**DESCRIPTION**



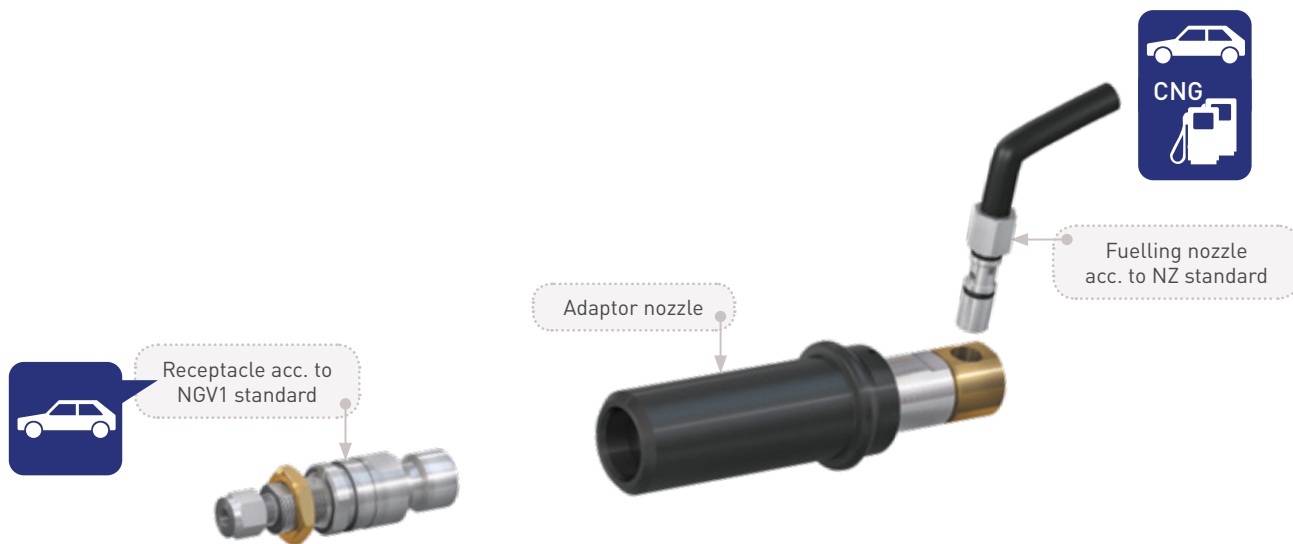
**Features**

- Push-Pull actuation
- Plastic thermal protection
- WEH® Jaw locking mechanism
- High-grade materials
- Compact design

Fuelling nozzles must be adapted to country-specific standards as the NGV1 standard is not yet used worldwide. We, therefore, adapted our TK4 CNG fuelling nozzle for refuelling vehicles with NGV1 standard at fuelling stations in China, South America, Southeast Asia, Russia, etc. We offer special versions for installation at fuelling stations having NZ or GOST standard.

**Application**

Adaptor nozzle for CNG filling of cars having a NGV1 receptacle profile at car fuelling stations with NZ/GOST standard. Operation only by specially trained service personnel. Not for self-service operation!



**TECHNICAL DATA**

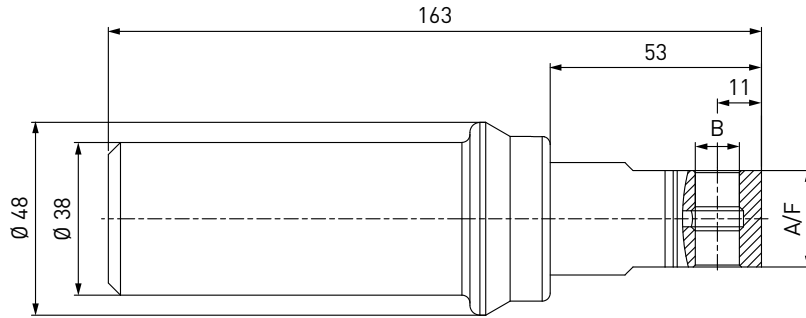
Characteristic	Basic version	Options
Pressure range	B200 acc. to ISO 14469-1 (P30 acc. to ANSI NGV1) PN = 200 bar (3,000 psi)   PS = 300 bar   PT = 450 bar	
Temperature range	-40 °C up to +85 °C (-40 °F up to +185 °F)	On request
Material	Corrosion resistant	On request
Sealing material	Natural gas compatible	On request

**Ordering**

**ORDERING** | Adaptor nozzle TK4 NZ

Adaptor nozzle for refuelling a car having a NGV1 receptacle profile at fuelling stations with a fuelling nozzle acc. to NZ standard. **Not for self-service operation!**

approx. dimensions (mm)

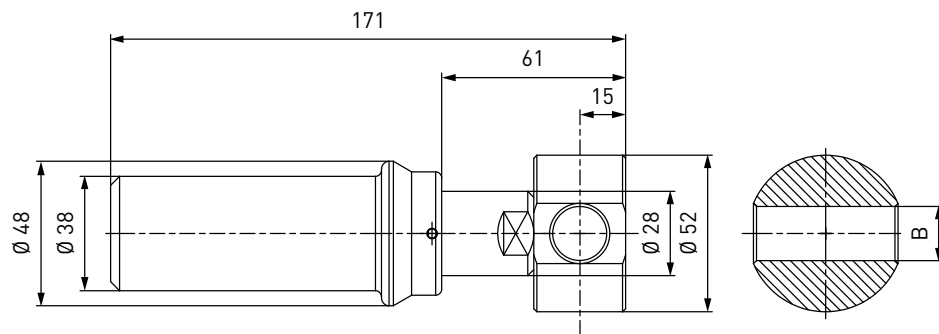


Part No.	Description	Pressure (PN)	Inlet B	A/F
<b>C1-68100-X1-X01</b>	TK4 NZ	200 bar / 3,000 psi	NZ Ø 11.0 mm (e.g. Brasil, Pakistan, Bangladesh, India)	24
<b>C1-66737-X1-X01</b>	TK4 NZ	200 bar / 3,000 psi	NZ Ø 12.0 mm (e.g. China)	25
<b>C1-61672-X1-X01</b>	TK4 NZ	200 bar / 3,000 psi	NZ Ø 1/2" / Ø 12.7 mm (e.g. Argentina)	24

**ORDERING** | Adaptor nozzle TK4 GOST

Adaptor nozzle for refuelling a car having a NGV1 receptacle profile at fuelling stations with a fuelling nozzle acc. to GOST standard. **Not for self-service operation!**

approx. dimensions (mm)



Part No.	Description	Pressure (PN)	Inlet B
<b>C1-70009-X1-X01</b>	TK4 GOST	200 bar / 3,000 psi	GOST Ø 18.0 mm (Russia)

## Other products

### OTHER PRODUCTS

You will find more products in our current catalogue no. 15



Further information on our homepage  
[www.weh.com](http://www.weh.com)

#### Abbreviations/Definition

Explanation of abbreviations see technical appendix in the catalogue or [www.weh.com](http://www.weh.com)

#### Safe product selection

Our WEH® Products are designed to be operated by qualified professional users (insofar as WEH® Products are also designed to be operated by other users in individual cases, this is explicitly stated in the corresponding operating instructions). You alone are responsible for the selection of WEH® Products and their configuration according to the requirements of your system. In doing so, please particularly consider your intended use, your performance data, your material compatibility, your system concept and your system limits as well as your technical and legal requirements for operation, handling and maintenance. The quality and safety of WEH® Products is our highest priority. For this reason, WEH® Products may not be used outside the specifications in the relevant Product data sheets and product descriptions. We also strongly recommend that you refrain from using third-party spare parts or a combination of WEH® Products with unsuitable third-party products. You alone are responsible for reviewing the suitability of third-party products. WEH® Products and WEH® Spare parts comply with our quality and safety standards.

#### Explanation on the Pressure Equipment Directive

These WEH® Products are generally and exclusively classified as pressure accessories for piping in accordance with Article 2 (5) of the Pressure Equipment Directive 2014/68/EU. These WEH® Products may not be used (i) as safety accessories or (ii) for vessels as defined by the Pressure Equipment Directive 2014/68/EU. Therefore, the application of these WEH® Products must comply with their classification as pressure accessories for piping. The assessment with regard to a different classification can, however, be made on request.

#### External change management

WEH reserves the right to update, optimise and adjust its products continuously. This may result in corresponding changes of the product. Customers will be informed proactively or unsolicited by WEH only in individual cases about product updates, product optimisations and/or product adaptations that have been carried out. You are free to contact WEH at any time to request information about any product updates, product optimisations and/or product adjustments.

© All rights reserved, WEH GmbH. Any unauthorized use is strictly forbidden. Subject to alteration.  
No liability will be assumed for any content. Herewith previous versions are no longer valid.

### » Contacting

For queries and further information, please do not hesitate to contact us.

Manufacturer:

**WEH GmbH Gas Technology**

Josef-Henle-Str. 1  
89257 Illertissen / Germany

Phone: +49 7303 95190-0  
Fax: +49 7303 95190-9999

Email: [h2sales@weh.com](mailto:h2sales@weh.com)  
[www.weh.com](http://www.weh.com)