

Type **TK4 CNG / TK4i CNG / TW04 CNG**

WEH[®] Adaptor nozzle

for CNG fast filling of cars with NGV1 / Italian standard



General

DESCRIPTION



Features

- Push-Pull actuation
- High-grade materials
- Compact design

Fuelling nozzles must be adapted to country-specific standards as the NGV1 standard is not yet used worldwide. We, therefore, adapted our WEH® TK4 CNG fuelling nozzle for refuelling vehicles with NGV1 standard at Italian fuelling stations. And for refuelling vehicles with Italian standard at NGV1 fuelling stations we have designed the WEH® TK4i CNG and WEH® TW04 CNG adaptor nozzles.

Application

Adaptor nozzle for CNG fast filling of cars with NGV1 receptacle profile / Italian receptacle profile with fuelling nozzles acc. to Italian standard / NGV1 standard. Operation only by specially trained service personnel. Not for self-service operation!

Description	Car	Fuelling station
TK4 CNG	NGV1	Italian standard
TK4i CNG	Italian standard (G1/2" external thread) New Italian standard (without external thread)	NGV1
TW04 CNG	Italian standard (G1/2" external thread)	NGV1

TECHNICAL DATA

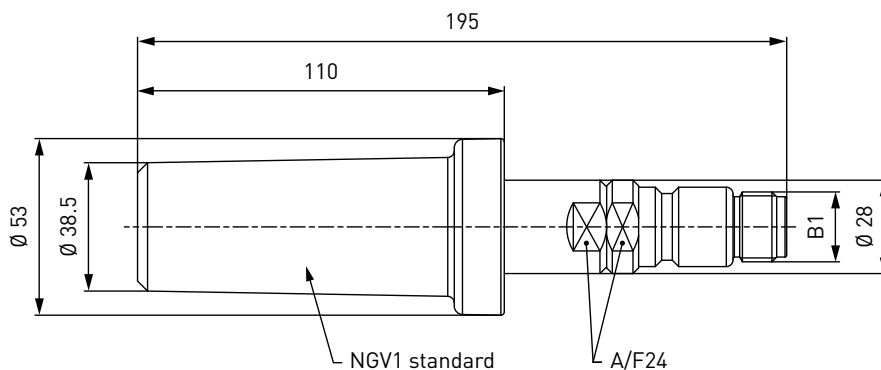
Characteristic	Basic version	Options
Pressure range	B200 acc. to ISO 14469-1 (P30 acc. to ANSI NGV1) PN = 200 bar (3,000 psi) PS = 300 bar PT = 450 bar	
Temperature range	-40 °C up to +85 °C (-40 °F up to +185 °F)	On request
Material	Corrosion resistant	On request
Sealing material	Natural gas compatible	On request
Registration	PED 2014/68/EU	

Ordering

ORDERING | Adaptor nozzle WEH® TK4 CNG

Adaptor nozzle for refuelling a car having a NGV1 receptacle profile with a fuelling nozzle acc. to Italian standard.
Not for self-service operation!

approx. dimensions (mm)

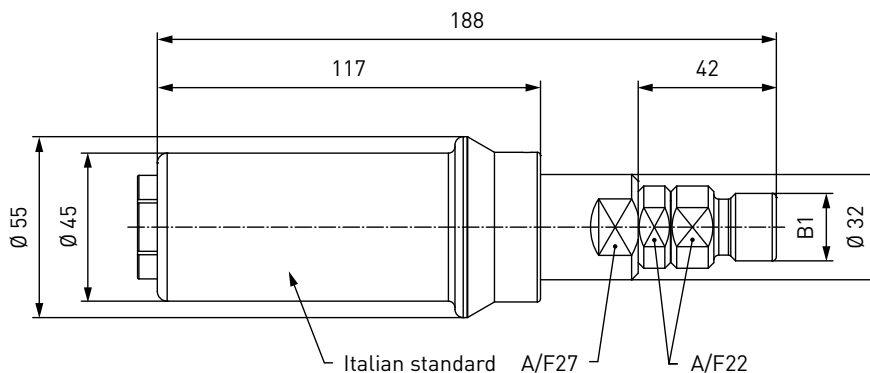


Part No.	Description	Pressure (PN)	Inlet B1 [(external thread)]
C1-125999	Adaptor nozzle TK4 CNG	200 bar / 3,000 psi	Italian standard (G1/2")

ORDERING | Adaptor nozzle WEH® TK4i CNG

Adaptor nozzle for refuelling a car having a receptacle profile acc. to Italian standard (G1/2" external thread) and new Italian standard (without external thread) with a fuelling nozzle acc. to NGV1 standard. **Not for self-service operation!**

approx. dimensions (mm)



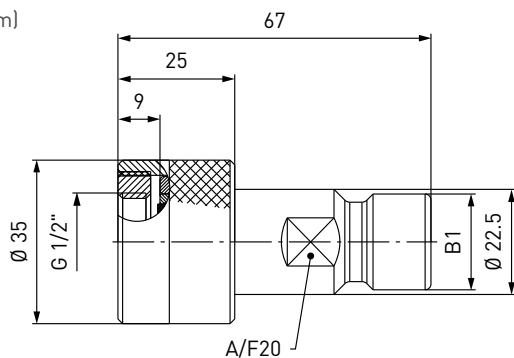
Part No.	Description	Pressure (PN)	Inlet B1
C1-18148	Adaptor nozzle TK4i CNG	200 bar / 3,000 psi	NGV1

Ordering

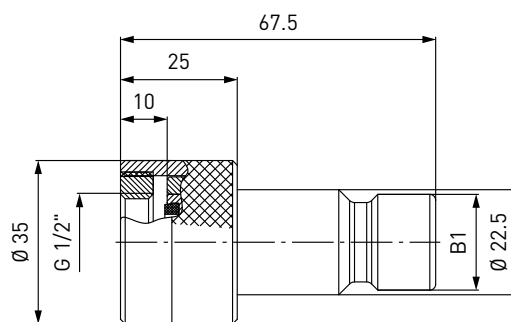
ORDERING | Adaptor nozzle WEH® TW04 CNG

Adaptor nozzle for refuelling a car having a receptacle profile acc. to Italian standard (G1/2" external thread) with a fuelling nozzle acc. to NGV1 standard. **Only suitable for self service after reading operating instructions!**

approx. dimensions (mm)



TW04 CNG with integrated shut-off valve



TW04 CNG without integrated shut-off valve



Part No.	Description	Pressure (PN)	Inlet B1
C1-89166	Adaptor nozzle TW04 CNG with integrated shut-off valve	200 bar / 3,000 psi	NGV1
C1-13730	Adaptor nozzle TW04 CNG without integrated shut-off valve	200 bar / 3,000 psi	NGV1

Other products

OTHER PRODUCTS

You will find more products in our current catalogue no. 15



Further information on our homepage
www.weh.com

» Contacting

For queries and further information, please do not hesitate to contact us.

Manufacturer:

WEH GmbH Gas Technology

Josef-Henle-Str. 1
89257 Illertissen / Germany

Phone: +49 7303 95190-0
Fax: +49 7303 95190-9999

Email: ngvsales@weh.com
www.weh.com